



MIAMI-DADE COUNTY
BUILDING AND NEIGHBORHOOD COMPLIANCE DEPARTMENT (BNC)
BOARD AND CODE ADMINISTRATION DIVISION

MIAMI-DADE COUNTY, FLORIDA
PRODUCT CONTROL SECTION
 11805 SW 26th Street, Room 208
 Miami, Florida 33175-2474
 T (786) 315-2590 F (786) 315-2599

www.miamidade.gov/building/home/asp

NOTICE OF ACCEPTANCE (NOA)

Tradewood Industries, Ltd.
7 Wright Street
St. Catharines, Ontario, Canada, L2P 3J2

SCOPE:

This NOA is being issued under the applicable rules and regulations governing the use of construction materials. The documentation submitted has been reviewed by Miami-Dade County Product Control Section and accepted by the Board of Rules and Appeals (BORA) to be used in Miami-Dade County and other areas where allowed by the Authority Having Jurisdiction (AHJ).

This NOA shall not be valid after the expiration date stated below. The Miami-Dade County Product Control Section (In Miami-Dade County) and/or the AHJ (in areas other than Miami-Dade County) reserve the right to have this product or material tested for quality assurance purposes. If this product or material fails to perform in the accepted manner, the manufacturer will incur the expense of such testing and the AHJ may immediately revoke, modify, or suspend the use of such product or material within their jurisdiction. BORA reserves the right to revoke this acceptance, if it is determined by Miami-Dade County Product Control Section that this product or material fails to meet the requirements of the applicable building code.

This product is approved as described herein, and has been designed to comply with the Florida Building Code, including the High Velocity Hurricane Zone.

DESCRIPTION: Series "HVHZ" Wood Fixed Window – L.M.I.

APPROVAL DOCUMENT: Drawing No. **AD-09-02**, titled "Series Shaped Fixed Window-L.M.I.", sheets 1 through 6 of 6, dated 11/11/10 with the latest revision, dated 12/02/10, prepared by MYC Engineering, Inc., signed and sealed by Yiping Wang, P. E., bearing the Miami-Dade County Product Control Revision stamp with the Notice of Acceptance number and Expiration date by the Miami-Dade County Product Control Section.

MISSILE IMPACT RATING: Large and Small Missile Impact Resistant.

LABELING: Each unit shall bear a permanent label with the manufacturer's name or logo, St. Catharines, Ontario, Canada and following statement: "Miami-Dade County Product Control Approved", unless otherwise noted herein.

RENEWAL of this NOA shall be considered after a renewal application has been filed and there has been no change in the applicable building code negatively affecting the performance of this product.

TERMINATION of this NOA will occur after the expiration date or if there has been a revision or change in the materials, use, and/or manufacture of the product or process. Misuse of this NOA as an endorsement of any product, for sales, advertising or any other purposes shall automatically terminate this NOA. Failure to comply with any section of this NOA shall be cause for termination and removal of NOA.

ADVERTISEMENT: The NOA number preceded by the words Miami-Dade County, Florida, and followed by the expiration date may be displayed in advertising literature. If any portion of the NOA is displayed, then it shall be done in its entirety.

INSPECTION: A copy of this entire NOA shall be provided to the user by the manufacturer or its distributors and shall be available for inspection at the job site at the request of the Building Official.

This NOA **revises NOA No. 08-0820.13** and consists of this page 1, evidence pages E-1 and E-2, as well as approval document mentioned above.

The submitted documentation was reviewed by **Jaime D. Gascon, P. E.**



J. Gascon
 12/31/10

NOA No. 10-1006.11
Expiration Date: November 27, 2013
Approval Date: December 30, 2010

Tradewood Industries, Ltd.

NOTICE OF ACCEPTANCE: EVIDENCE SUBMITTED

A. DRAWINGS

1. Manufacturer's die drawings and sections.
2. Drawing No **AD-09-02**, titled "Series Shaped Fixed Window-L.M.I.", sheets 1 through 6 of 6, dated 11/11/10 with the latest revision, dated 12/02/10, prepared by MYC Engineering, Inc., signed and sealed by Yiping Wang, P. E.

B. TESTS


1. Test reports on: 1) Air Infiltration Test, per FBC, TAS 202-94
2) Uniform Static Air Pressure Test, Loading per FBC TAS 202-94
3) Water Resistance Test, per FBC, TAS 202-94
4) Large Missile Impact Test per FBC, TAS 201-94
5) Cyclic Wind Pressure Loading per FBC, TAS 203-94
6) Forced Entry Test, per FBC 2411 3.2.1, TAS 202-94
along with marked-up drawings and installation diagram of wood fixed window, prepared by ETC Laboratories, Inc., Test Report No. **ETC-05-1001-16497.0**, dated 12/15/08, signed and sealed by Joseph Labora Doldan, P. E.
2. Test reports on: 1) Air Infiltration Test, per FBC, TAS 202-94
2) Uniform Static Air Pressure Test, Loading per FBC TAS 202-94
3) Water Resistance Test, per FBC, TAS 202-94
4) Large Missile Impact Test per FBC, TAS 201-94
5) Cyclic Wind Pressure Loading per FBC, TAS 203-94
6) Forced Entry Test, per FBC 2411 3.2.1, TAS 202-94
along with marked-up drawings and installation diagram of wood fixed window, prepared by ETC Laboratories, Inc., Test Report No. **ETC-07-1001-204171.0**, dated 04/23/08, signed and sealed by Joseph Labora Doldan, P. E.
(Submitted under previous NOA No.08-0820.13)

C. CALCULATIONS

1. Anchor verification calculations and structural analysis, complying with FBC-2007, prepared by MYC Engineering, Inc., dated 12/02/10, signed and sealed by Yiping Wang, P. E.
Complies with ASTM E1300-04

D. QUALITY ASSURANCE

1. Miami-Dade Building and Neighborhood Compliance Department (BNC).



Jaime D. Gascon, P. E.
Chief, Product Control Section
NOA No. 10-1006.11
Expiration Date: November 27, 2013
Approval Date: December 30, 2010

Tradewood Industries, Ltd.

NOTICE OF ACCEPTANCE: EVIDENCE SUBMITTED

E. MATERIAL CERTIFICATIONS

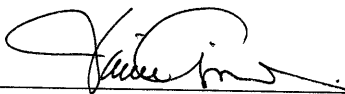
1. Notice of Acceptance No. **10-0413.04** issued to E.I. DuPont DeNemours & Co., Inc. for their "**DuPont Sentry Glass® Interlayer**" dated 05/26/2010, expiring on 01/14/12.

F. STATEMENTS

1. Statement letter of conformance and compliance with the FBC 2007, dated November 11, 2010, signed and sealed by Yiping Wang, P. E.
2. Statement letter of no financial interest, dated November 11, 2010, signed and sealed by Yiping Wang, P. E.
3. Laboratory compliance letter for Test Report No. **ETC-05-1001-16497.0**, issued by ETC Laboratories, Inc., dated December 15, 2008, signed and sealed by Joseph Labora Doldan, P. E.
4. Laboratory compliance letter for Test Report No. **ETC-07-1001-204171.0**, issued by ETC Laboratories, Inc., dated April 23, 2008, signed and sealed by Joseph Labora Doldan, P. E.
(Submitted under previous NOA No. 08-0820.13)
5. Distributor Agreement document in conformance to BCCO guidelines dated August 21, 2009, signed by David Tausendfreund, C.E.O. and Michael P. Fishman, President of AWA Associates, Inc.
6. Distributor Agreement document in conformance to BCCO guidelines dated August 14, 2009, signed by David Tausendfreund, C.E.O. and Patrick Resendiz, President of Architectural Window Associates, Inc.
7. Distributor Agreement document in conformance to BCCO guidelines dated August 07, 2009, signed by David Tausendfreund, C.E.O. and Gary Restano, President of Architectural Fen. Consultants.
8. Test Proposal No. **08-0237**, dated 03/19/08 approved by BCCO, Product Control Division, signed by Ishaq Chanda, P.E.
(Submitted under previous NOA No. 08-0820.13)

G. OTHERS

1. Notice of Acceptance No. **08-0820.13**, issued to Tradewood Windows and Doors, Inc. for their Series "**HVHZ**" **Wood Fixed Window – L.M.I.**", approved on 11/27/08 and expiring on 11/27/13.



Jaime D. Gascon, P. E.
Chief, Product Control Section
NOA No. 10-1006.11
Expiration Date: November 27, 2013
Approval Date: December 30, 2010

WOOD FRAME SHAPED FIXED WINDOW

THIS PRODUCT HAS BEEN DESIGNED AND TESTED TO COMPLY WITH THE REQUIREMENTS OF THE FLORIDA BUILDING CODE 2007 EDITION INCLUDING HIGH VELOCITY HURRICANE ZONE (HVHZ).

GLASS CAPACITY BASED ON ASTM E1300-04 (3 SEC. GUSTS)

FOR DESIGN LOADS SEE CHART ON SHEET 2 OF 6.

A LOAD DURATION INCREASE IS USED IN DESIGN OF ANCHORS INTO WOOD ONLY.

WOOD BUCKS BY OTHERS, MUST BE ANCHORED PROPERLY TO TRANSFER LOADS TO THE STRUCTURE

ANCHORS SHALL BE LISTED, SPACED AS SHOWN IN DETAILS, ANCHORS EMBEDMENT TO BASE MATERIAL SHALL BE BEYOND WALL DRESSING OR STUCCO.

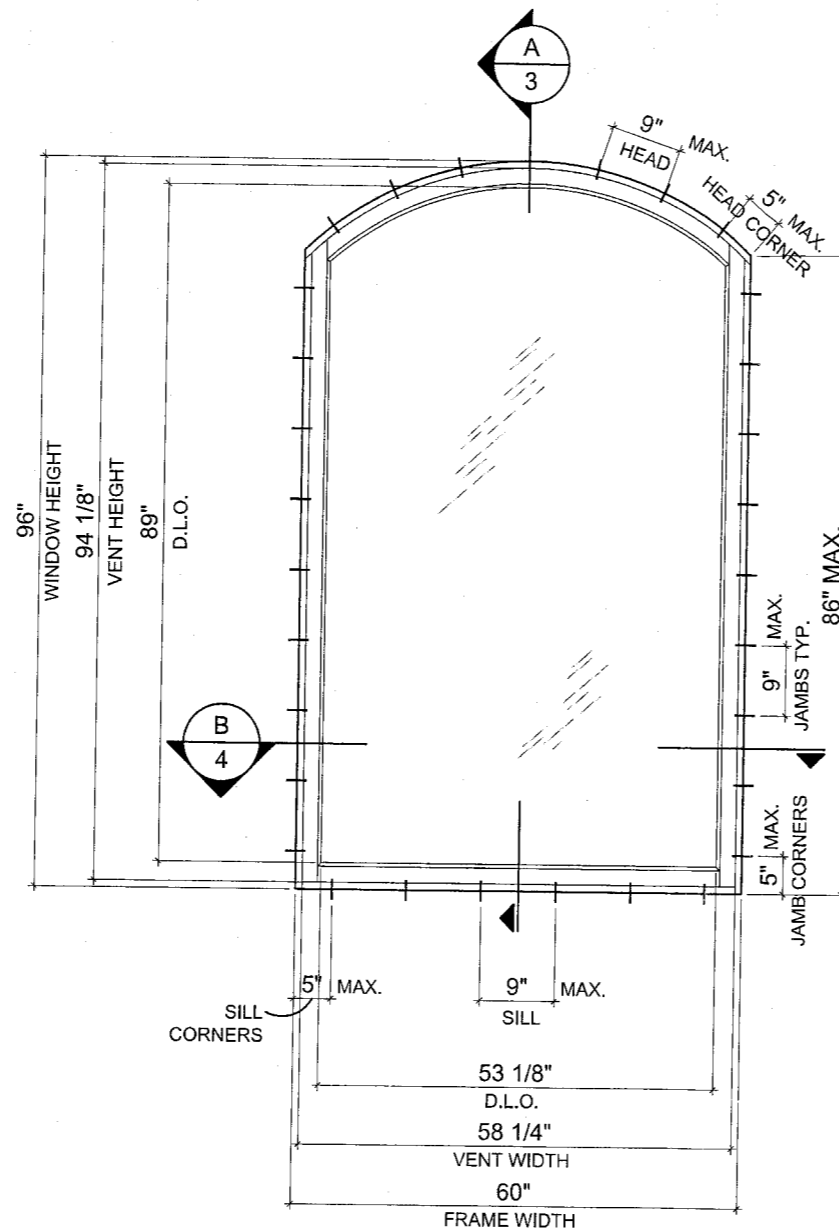
ANCHORING OR LOADING CONDITIONS NOT SHOWN IN THESE DETAILS ARE NOT PART OF THIS APPROVAL.

SEALANT:

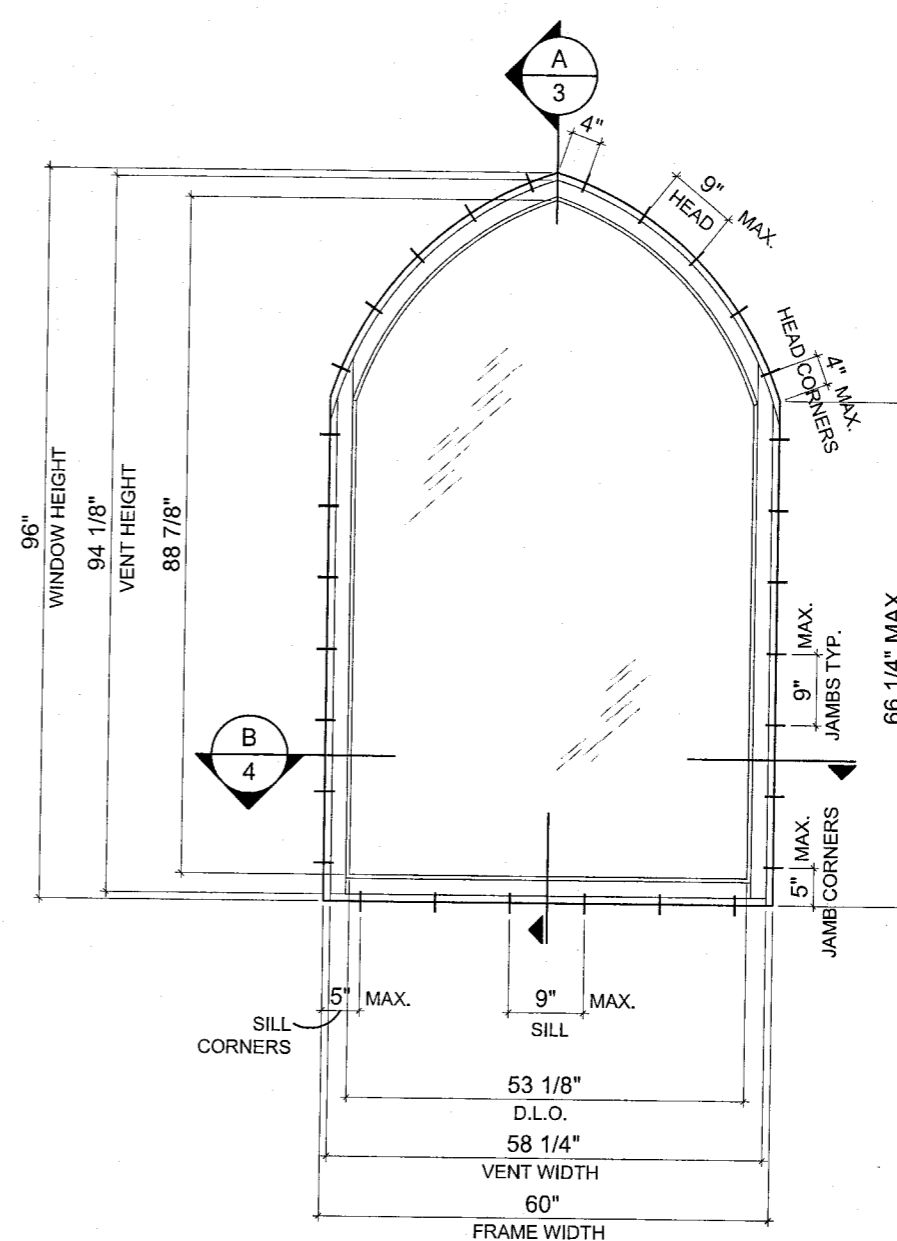
1. FRAME TO BUCK: SELECT 30 SILICONE BY SILICONE AND SEALANT LTD. OR OTHER MIAMI-DADE COUNTY APPROVED SEALANT.
2. SASH TO FRAME: WHITE LIGHTNING® 3006 SILICONIZED ACRYLIC POLYMER BY THE SHERMIN-WILLAN COMPANY.

MATERIALS INCLUDING BUT NOT LIMITED TO STEEL/METAL SCREWS, THAT COME INTO CONTACT WITH OTHER DISSIMILAR MATERIALS SHALL MEET THE REQUIREMENTS OF THE 2007 FLORIDA BUILDING CODE SECTION 2003.8.4.

ALL WOOD IN CONTACT WITH MASONRY AND/OR WITH CONCRETE ETC. SHALL BE TREATED AND PROTECTED PER FLORIDA BUILDING CODE SECTION 2411.3.3.3 AND 2362.2.



EYEBROW STYLE ELEVATION



CATHEDRAL STYLE ELEVATION

THESE WINDOWS ARE RATED FOR LARGE MISSILE IMPACT. SHUTTERS ARE NOT REQUIRED.

PRODUCT REVISED
 as complying with the Florida Building Code
 Acceptance No. 10-1006-11
 Expiration Date 11/27/2013
 By *[Signature]*
 Miami Dade Product Control Division
 MIAMI-DADE COUNTY

YIPING WANG, P.E.
 FLORIDA REGISTRATION
 PE #55983
 C.A.N. 28677
[Signature]
 DEC 02 2010

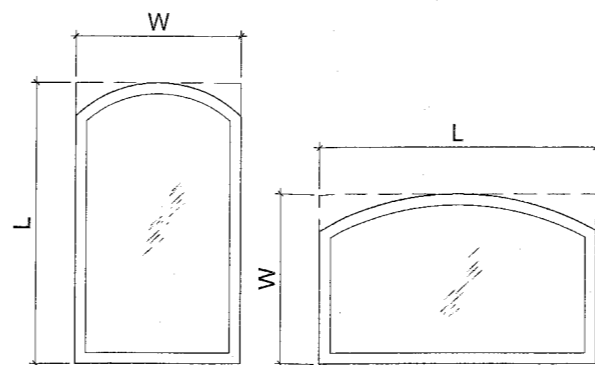
NO.	DATE	DESCRIPTION

MCY ENGINEERING, INC.
 GLAZING CONSULTANTS
 9110 SW SUNSET DRIVE, MIAMI, FL 33173
 P: 305.271.0117 F: 786.573.5063
 www.MCYEngineering.com MCY.Engineering@Alt.net

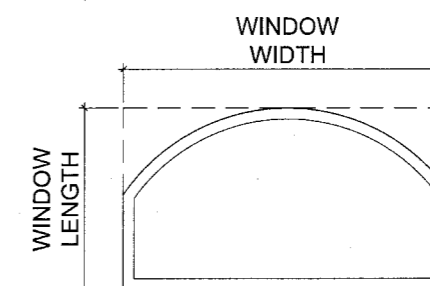
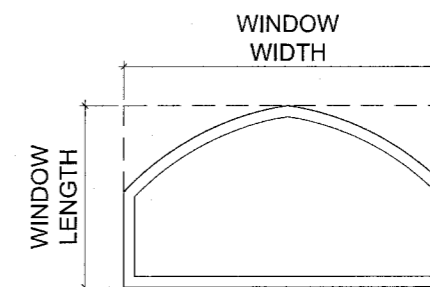
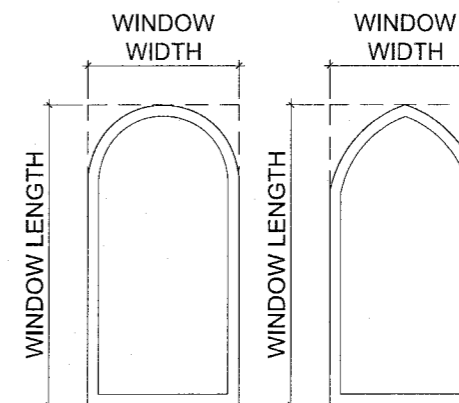
SHAPED FIXED WINDOW - L.M.I.
TRADEWOOD INDUSTRIES LIMITED
 7 WRIGHT STREET, ST. CATHARINES, ONTARIO L2P 3J2, CANADA
 P: (905) 641-4949 F: (905) 641-2340
 TOLL FREE: 1-800-410-0268

DATE	11-11-10
SCALE	AS NOTED
DRAWN	
PROJECT	09-016
DRAWING NO.	AD-09-02
SHEET	1 of 6

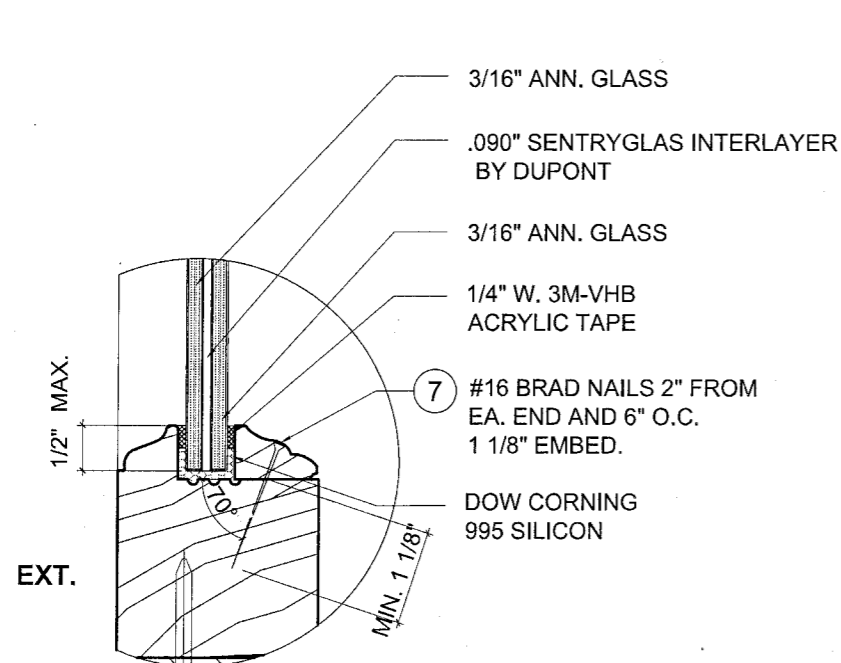
DESIGN LOAD CAPACITY - PSF					
FRAME DIMS.		GLASS TYPE "A"		GLASS TYPE "B"	
LENGTH (L)	WIDTH (W)	POSITIVE	NEGATIVE	POSITIVE	NEGATIVE
60"	60"	+75.00	-75.00	+75.00	-75.00
	66"	+75.00	-75.00	+75.00	-75.00
	72"	+75.00	-75.00	+75.00	-75.00
	78"	+75.00	-75.00	+75.00	-75.00
	84"	+75.00	-75.00	+75.00	-75.00
	90"	+75.00	-75.00	+75.00	-75.00
66"	66"	+70.60	-70.60	+75.00	-75.00
	72"	+68.20	-68.20	+68.20	-68.20
	78"	+68.20	-68.20	+68.20	-68.20
	84"	+68.20	-68.20	+68.20	-68.20
72"	72"	+62.50	-62.50	+62.50	-62.50
	78"	+62.50	-62.50	+62.50	-62.50



NOTE:
WIDTH AND LENGTH DIMENSIONS CAN BE ORIENTED VERTICALLY OR HORIZONTALLY AS SHOWN ABOVE.

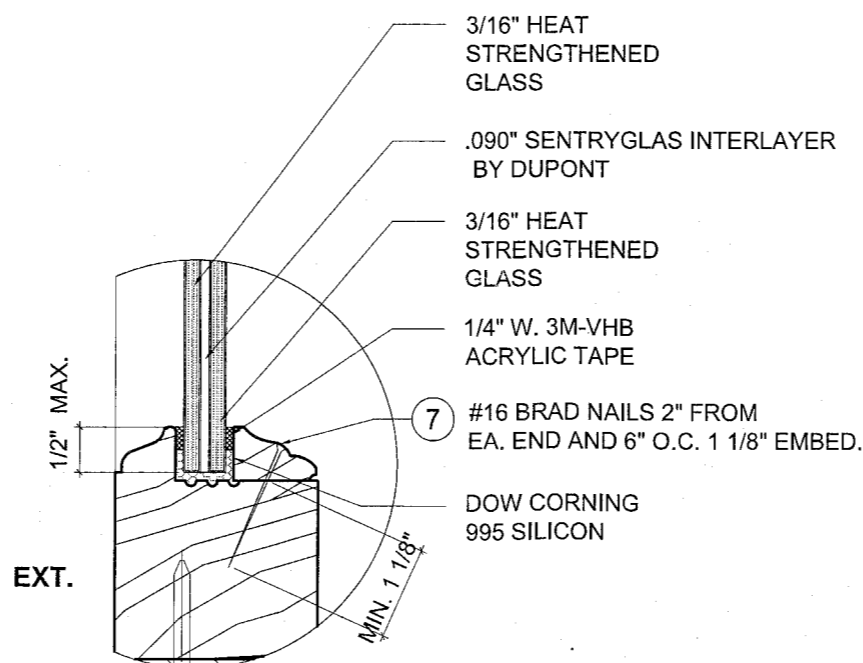


ALLOWABLE LOADS FOR ALTERNATE SHAPES AS SHOWN ABOVE OR SIMILAR CAN BE VERIFIED BY INSCRIBING PICTURE WINDOW SHAPE WITHIN SQUARE OR RECTANGLE AS SHOWN IN DOTTED LINES AND OBTAINING ALLOWABLE LOADS FROM THOSE SHAPES.



GLASS TYPE "A"

7/16" OVERALL LAMINATED GLASS



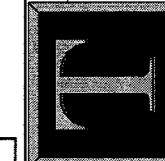
GLASS TYPE "B"

7/16" OVERALL LAMINATED GLASS

NO.	DATE	DESCRIPTION

MCY ENGINEERING, INC.
GLAZING CONSULTANTS
9110 SW SUNSET DRIVE, MIAMI, FL 33173
P: 305.271.0117 F: 786.573.5063
www.MCYEngineering.com MCY.Engineering@Att.net

SHAPED FIXED WINDOW - L.M.I.
TRADEWOOD INDUSTRIES LIMITED
7 WRIGHT STREET, ST. CATHARINES, ONTARIO L2P 3J2, CANADA
P: (905) 641-4949 F: (905) 641-2340
TOLL FREE: 1-800-410-0288

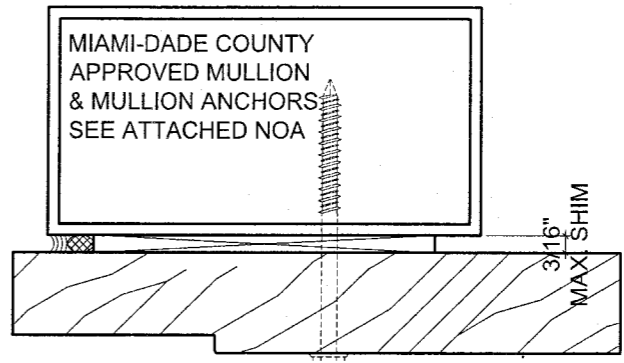
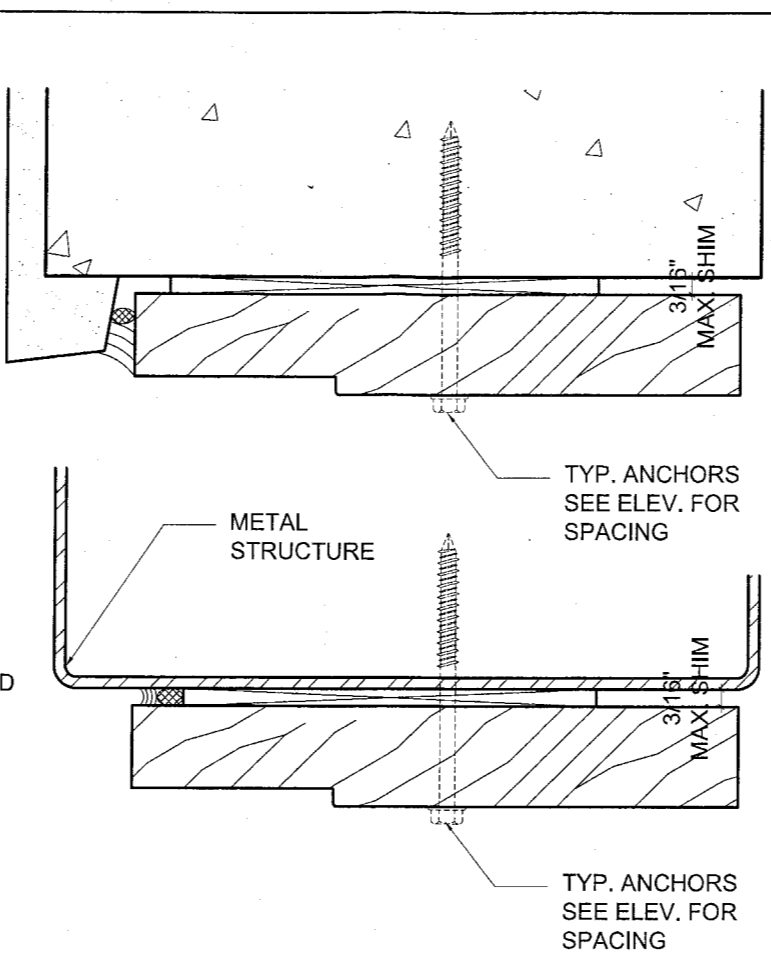
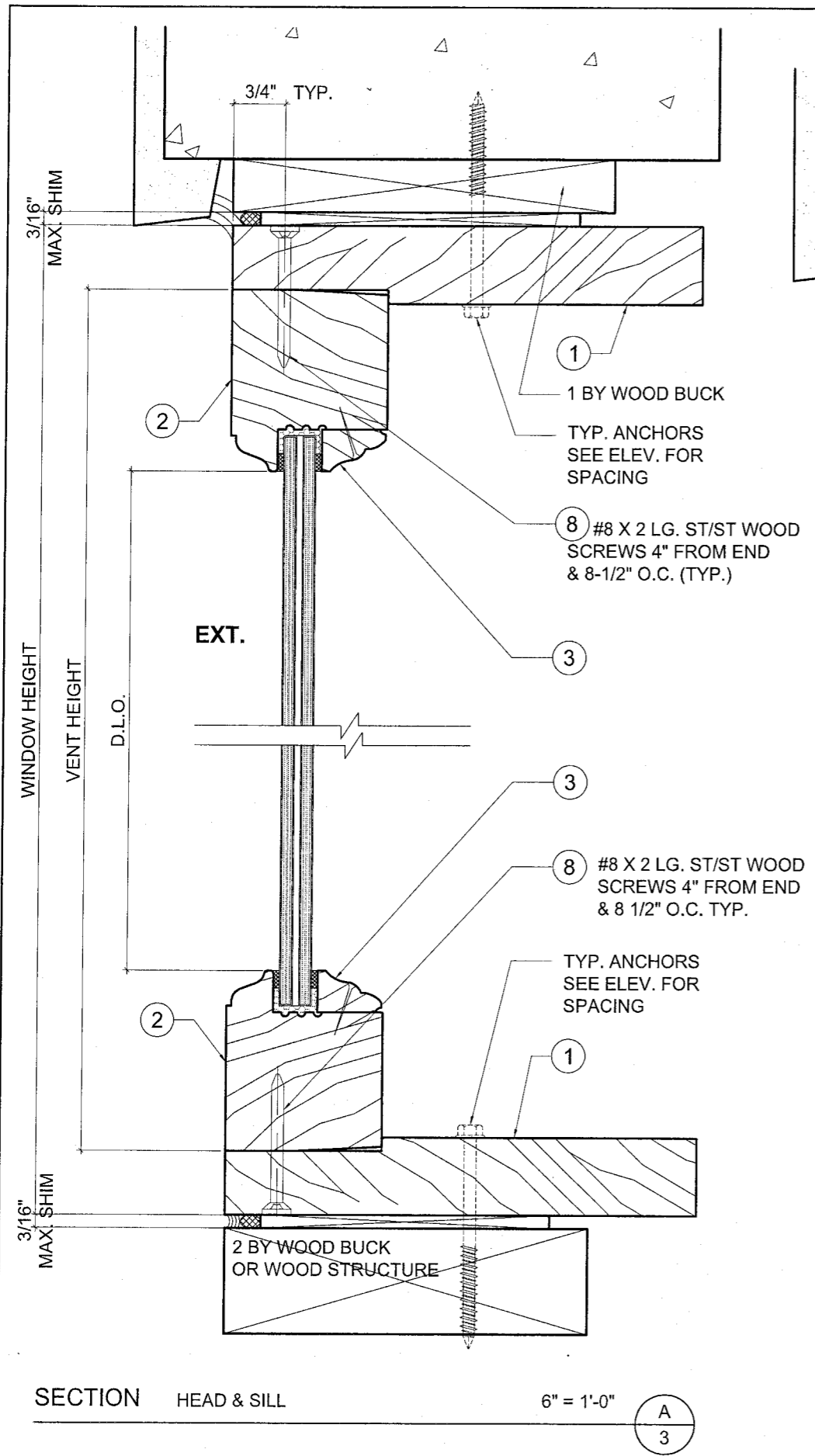


PRODUCT REVISED
as complying with the Florida Building Code
Acceptance No. 10-1006-11
Expiration Date 11/27/2013
By *[Signature]*
Miami Dade Product Control Division

YIPING WANG, P.E.
FLORIDA REGISTRATION
PE #55983
C.A.N. 28677
[Signature]
DEC 02 2010

DATE	11-11-10
SCALE	AS NOTED
DRAWN	
PROJECT	09-016
DRAWING NO.	AD-09-02
SHEET	2 of 6

MIAMI-DADE COUNTY



TYPICAL ANCHORS: SEE ELEV. FOR SPACING

- TYPE 'A' - **#10 WOOD SCREW ST/ST OR CARBON ST.**
- INTO 2BY WOOD BUCKS
1-1/2" EMBED.
 - INTO WOOD STRUCTURE
1-1/2" EMBED.
- TYPE 'B' - **3/16" ULTRACONS BY 'ELCO'** (Fu = 177 KSI, Fy = 155 KSI)
- INTO 2BY WOOD BUCKS OR WOOD STRUCTURE
1-1/2" MIN. PENETRATION INTO WOOD
 - THRU 1BY BUCKS INTO CONC. OR MASONRY
1-1/4" MIN. EMBED INTO CONC. OR MASONRY
 - DIRECTLY INTO CONC. OR MASONRY
1-1/4" MIN. EMBED INTO CONC. OR MASONRY
- TYPE 'C' - **#10 SMS OR SELFDRILLING SCREWS (GRADE 2 CRS)**
- INTO METAL STRUCTURES OR MIAMI-DADE APPROVED MULLIONS
 - STEEL : 1/8" THK. MIN (Fy = 36KSI MIN.)
 - ALUMINUM : 1/8" THK. MIN. (6063-T5 MIN.)

- ANCHOR EDGE DISTANCES**
- INTO CONCRETE AND MASONRY = 1-1/2" MIN.
 - INTO WOOD STRUCTURE = 1" MIN.
 - INTO METAL STRUCTURE = 3/4" MIN.

CONCRETE f'c = 3000 PSI MIN.
MASONRY f'm = 1924 PSI MIN.

ALL ANCHOR OPTIONS CAN APPLY TO HEAD, SILL AND JAMB ANCHORS.

SECTION HEAD & SILL 6" = 1'-0" A
3

NO	DATE	REVISIONS DESCRIPTION

MCY ENGINEERING, INC.
GLAZING CONSULTANTS

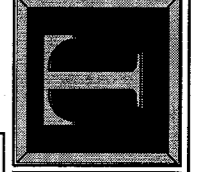
MCY

9110 SW SUNSET DRIVE, MIAMI, FL 33173
P: 305.271.0117 F: 786.573.5063
www.MCYEngineering.com MCY.Engineering@Att.net

SHAPED FIXED WINDOW - L.M.I.

TRADEWOOD INDUSTRIES LIMITED

7 WRIGHT STREET, ST. CATHARINES, ONTARIO L2P 3J2, CANADA
P: (905) 641-4949 F: (905) 641-2340
TOLL FREE: 1-800-410-0268



PRODUCT REVISED
as complying with the Florida Building Code
Acceptance No. 10-1006-11
Expiration Date 11/27/2013

By *[Signature]*
Miami Dade Product Control Division

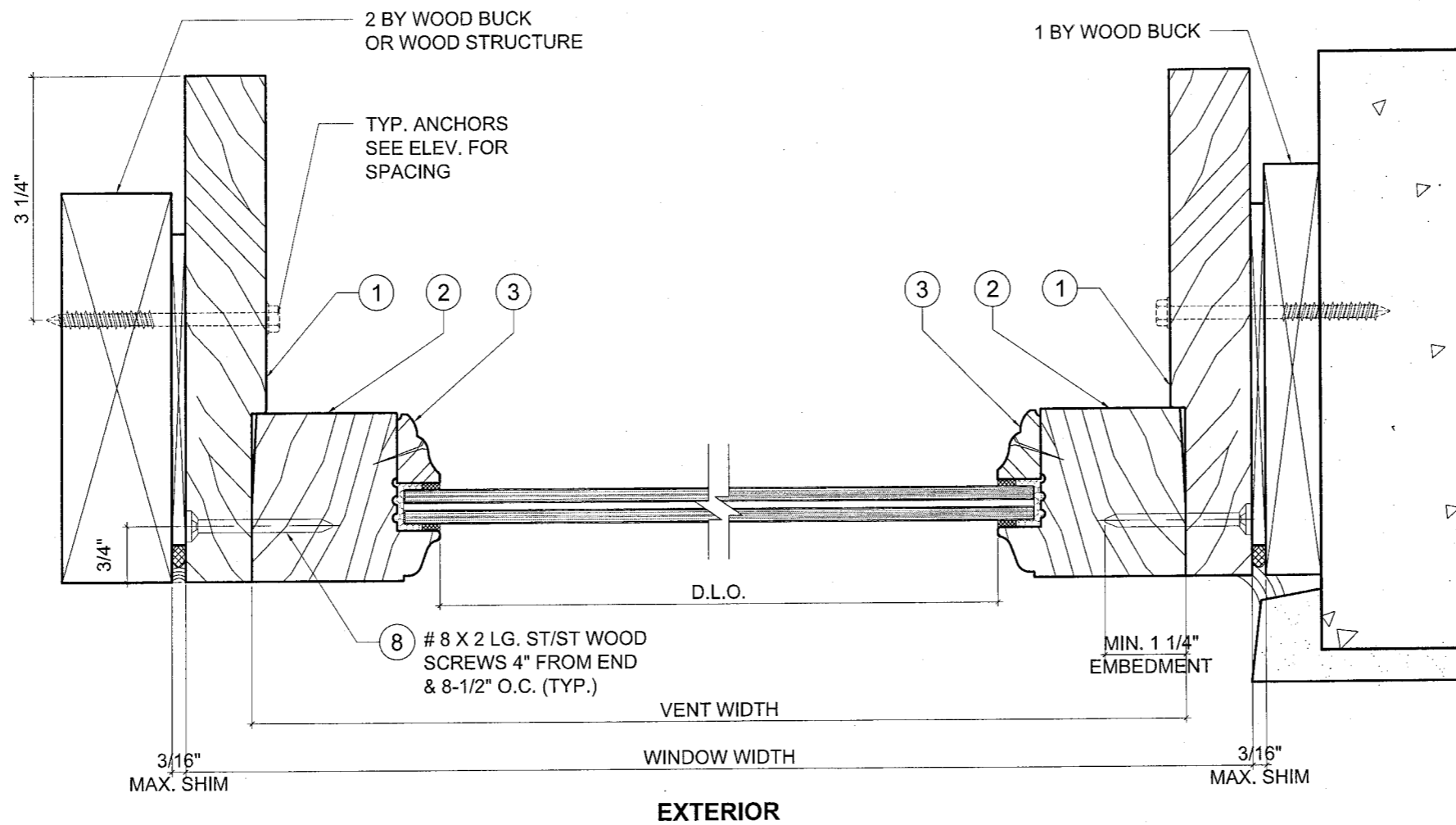
MIAMI-DADE COUNTY

YIPING WANG, P.E.
FLORIDA REGISTRATION
PE #55983
C.A.N. 28677

[Signature]

DEC 02 2010

DATE	11-11-10
SCALE	AS NOTED
DRAWN	
PROJECT	09-016
DRAWING NO.	AD-09-02
SHEET	3 of 6



SECTION JAMBS

6" = 1'-0"

B
4

PRODUCT REVISED
 as complying with the Florida
 Building Code
 Acceptance No 10-1006-11
 Expiration Date 11/27/2013
 By *[Signature]*
 Miami Dade Product Control
 Division

MIAMI-DADE COUNTY

YIPING WANG, P.E.
 FLORIDA REGISTRATION
 PE #55983
 C.A.N. 28677

[Signature]

DEC 02 2010

DATE	11-11-10
SCALE	AS NOTED
DRAWN	
PROJECT	09-016

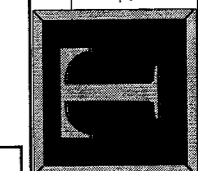
DRAWING NO.
 AD-09-02

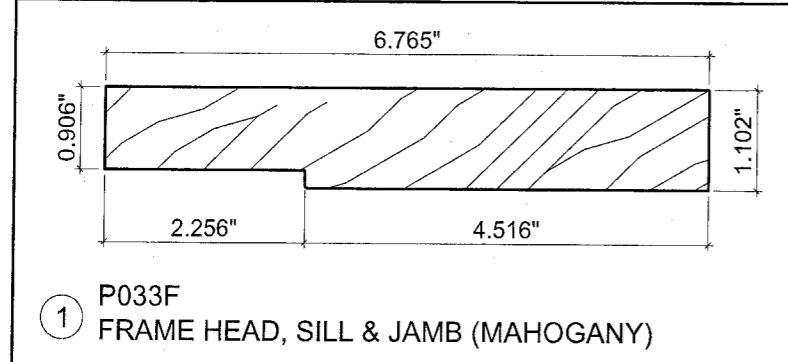
SHEET 4 of 6

NO	DATE	DESCRIPTION

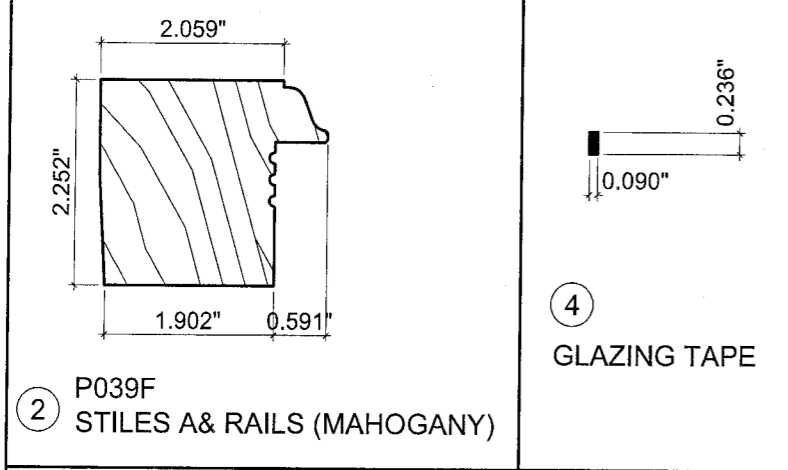
MCY
MCY ENGINEERING, INC.
 GLAZING CONSULTANTS
 9110 SW SUNSET DRIVE. P: 305.271.0117
 MIAMI, FL 33173 F: 786.573.5063
 www.MCYEngineering.com MCY.Engineering@Alt.net

SHAPED FIXED WINDOW - L.M.I.
TRADEWOOD INDUSTRIES LIMITED
 7 WRIGHT STREET, ST. CATHARINES, ONTARIO L2P 3J2, CANADA
 P: (905) 641-4949 F: (905) 641-2340
 TOLL FREE: 1-800-410-0288



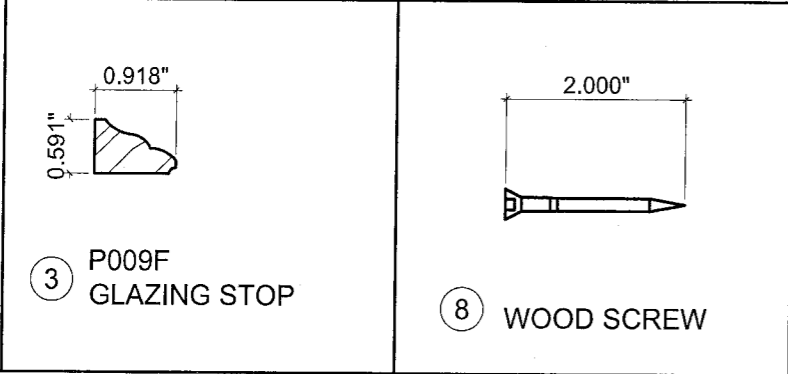


① P033F
FRAME HEAD, SILL & JAMB (MAHOGANY)



② P039F
STILES A& RAILS (MAHOGANY)

④
GLAZING TAPE



③ P009F
GLAZING STOP

⑧
WOOD SCREW

BILL OF MATERIALS

ITEM #	QTY.	PROFILE	DESCRIPTION	MATERIAL	MANF. / SUPPLIER / REMARKS
1	AS REQUD.	P0033F	FRAME HEADER, SILL & JAMB	WOOD	MAHOGANY SG = 0.45
2	AS REQUD.	P0039F	STILES & RAILS	WOOD	MAHOGANY SG = 0.45
3	AS REQUD.	P009F	GLAZING STOP	WOOD	MAHOGANY SG = 0.45
4	AS REQUD.	6-23-VBH-3M	GLAZING TAPE	SILICONIZED ACRYLIC TYPE	3M/DUROMETER-SHORE A55
5	AS REQUD.	995	DOW CORNING GLAZING SILICONE	SILICONE	DOW CORNING/DUROMETER-SHORE A40
6	AS REQUD.	WHITE LIGHTNING ®3006	SILICONIZED ACRYLIC POLYMER	CAULKING SEALING	SHERWIN-WILLIAM CO./DUROMETER-SHORE A35
7	AS REQUD.	BRAD NAIL	#16 BRAD NAIL	STAINLESS STEEL	2" FROM ENDS AND 6" O.C.
8	AS REQUD.	WOOD SCREW	#8 WOOD SCREW	STAINLESS STEEL	4" FROM ENDS AND 8 1/2" O.C.

NO	DATE	DESCRIPTION

MCY ENGINEERING, INC.
GLAZING CONSULTANTS

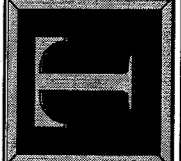
MCY

9110 SW SUNSET DRIVE. P: 305.271.0117
MIAMI, FL. 33173 F: 786.573.5063
www.MCYEngineering.com MCY.Engineering@Att.net

SHAPED FIXED WINDOW - L.M.I.

TRADEWOOD INDUSTRIES LIMITED

7 WRIGHT STREET, ST. CATHARINES, ONTARIO L2P 3J2, CANADA
P: (905) 641 - 4949 F: (905) 641 - 2340
TOLL FREE: 1-800-410-0268



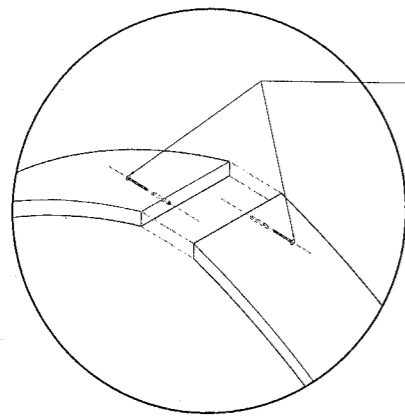
PRODUCT REVISED
as complying with the Florida Building Code
Acceptance No 10-1006-11
Expiration Date 11/27/2013

By *[Signature]*
Miami Dade Product Control Division
MIAMI-DADE COUNTY

YIPING WANG, P.E.
FLORIDA REGISTRATION
PE #55983
C.A.N. 28677

[Signature]
DEC 0-2 2010

DATE	11-11-10
SCALE	AS NOTED
DRAWN	
PROJECT	09-018
DRAWING NO.	AD-09-02
SHEET	5 of 6

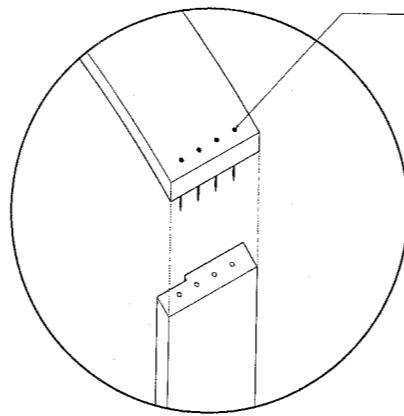


[2] #8 x 2" LG. ST/ST WOOD SCREWS [1] FROM LEFT AND [1] FROM RIGHT. SILICONIZED ACRYLIC POLYMER JOINT SEALING.

FRAME CORNER DETAIL

1" = 1'-0"

CATHEDRAL STYLE HEAD CENTERLINE CONNECTION

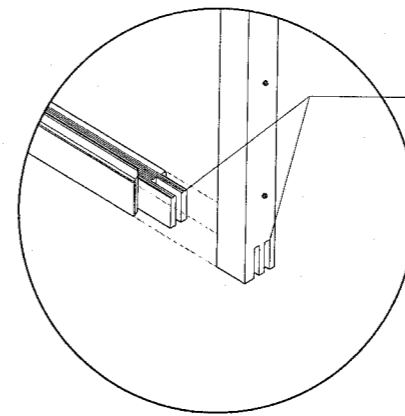


[4] #10 x 3" LG. ST/ST WOOD SCREWS

FRAME CORNER DETAIL

1" = 1'-0"

EYEBROW STYLE JAMB TO HEAD RADIUS CONNECTION

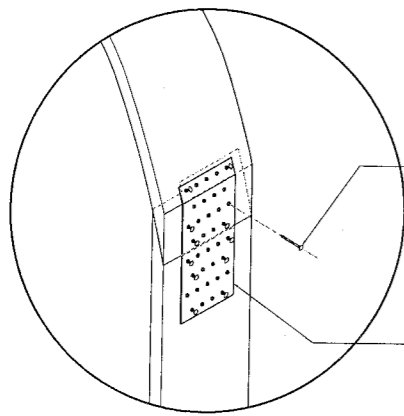


DOUBLE END TENON CONNECTION W/ WATERPROOF GLUE

SASH CORNER DETAIL

1" = 1'-0"

CATHEDRAL & EYEBROW STYLE CENTERLINE CONNECTION



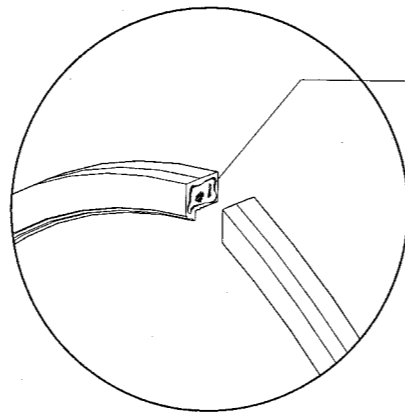
[12] #6 x 3/4" LG. ST/ST WOOD SCREWS

4 x 9" 20 GA. ST. PLATE

FRAME CORNER DETAIL

1" = 1'-0"

CATHEDRAL STYLE JAMB TO HEAD RADIUS CONNECTION

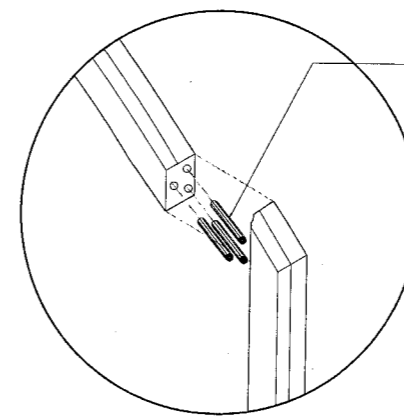


BUTTED CONNECTION WITH WATERPROOF GLUE

SASH CORNER DETAIL

1" = 1'-0"

CATHEDRAL STYLE CENTERLINE CONNECTION

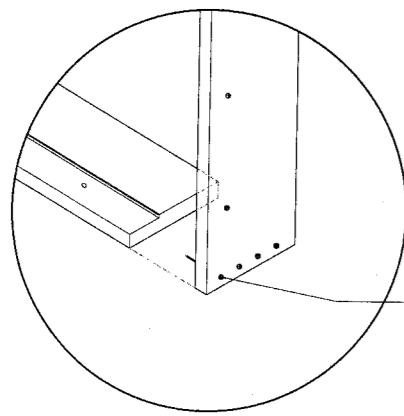


BUTTED PRESS FIT CONNECTION W/ [3] 1/2" x 3" LG. WOODEN DOWELS W/ WATERPROOF GLUE

SASH CORNER DETAIL

1" = 1'-0"

EYEBROW STYLE CENTERLINE CONNECTION

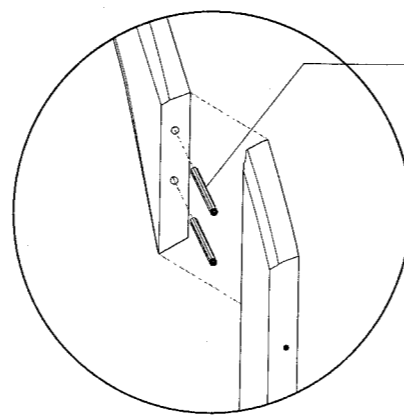


[4] #10 x 3" LG. ST/ST WOOD SCREWS

FRAME CORNER DETAIL

1" = 1'-0"

CATHEDRAL & EYEBROW STYLE SILL TO JAMB CONNECTION



BUTTED PRESS FIT CONNECTION W/ [2] 1/2" x 3" LG. WOODEN DOWELS W/ WATERPROOF GLUE

SASH CORNER DETAIL

1" = 1'-0"

CATHEDRAL STYLE CENTERLINE CONNECTION

PRODUCT RENEWED
 as complying with the Florida
 Building Code
 Acceptance No. 10-1006-11
 Expiration Date 11/27/2013
 By *[Signature]*
 Miami Dade Product Control
 Division

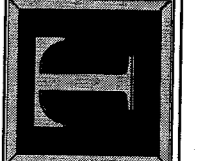
MIAMI-DADE COUNTY

YIPING WANG, P.E.
 FLORIDA REGISTRATION
 PE #55983
 C.A.N. 28677
[Signature]
 DEC 02 2010

REVISIONS	
NO.	DATE DESCRIPTION

MCY ENGINEERING, INC.
 GLAZING CONSULTANTS
 9110 SW SUNSET DRIVE.
 MIAMI, FL 33173
 P: 305.271.0117
 F: 786.573.5063
 www.MCYEngineering.com
 MCY.Engineering@Att.net

SHAPED FIXED WINDOW - L.M.I.
TRADEWOOD INDUSTRIES LIMITED
 7 WRIGHT STREET, ST. CATHARINES, ONTARIO L2P 3J2, CANADA
 P: (905) 641-4949 F: (905) 641-2340
 TOLL FREE: 1-800-410-0268



DATE	11-11-10
SCALE	AS NOTED
DRAWN	
PROJECT	09-016
DRAWING NO.	
AD-09-02	
SHEET 6 of 6	